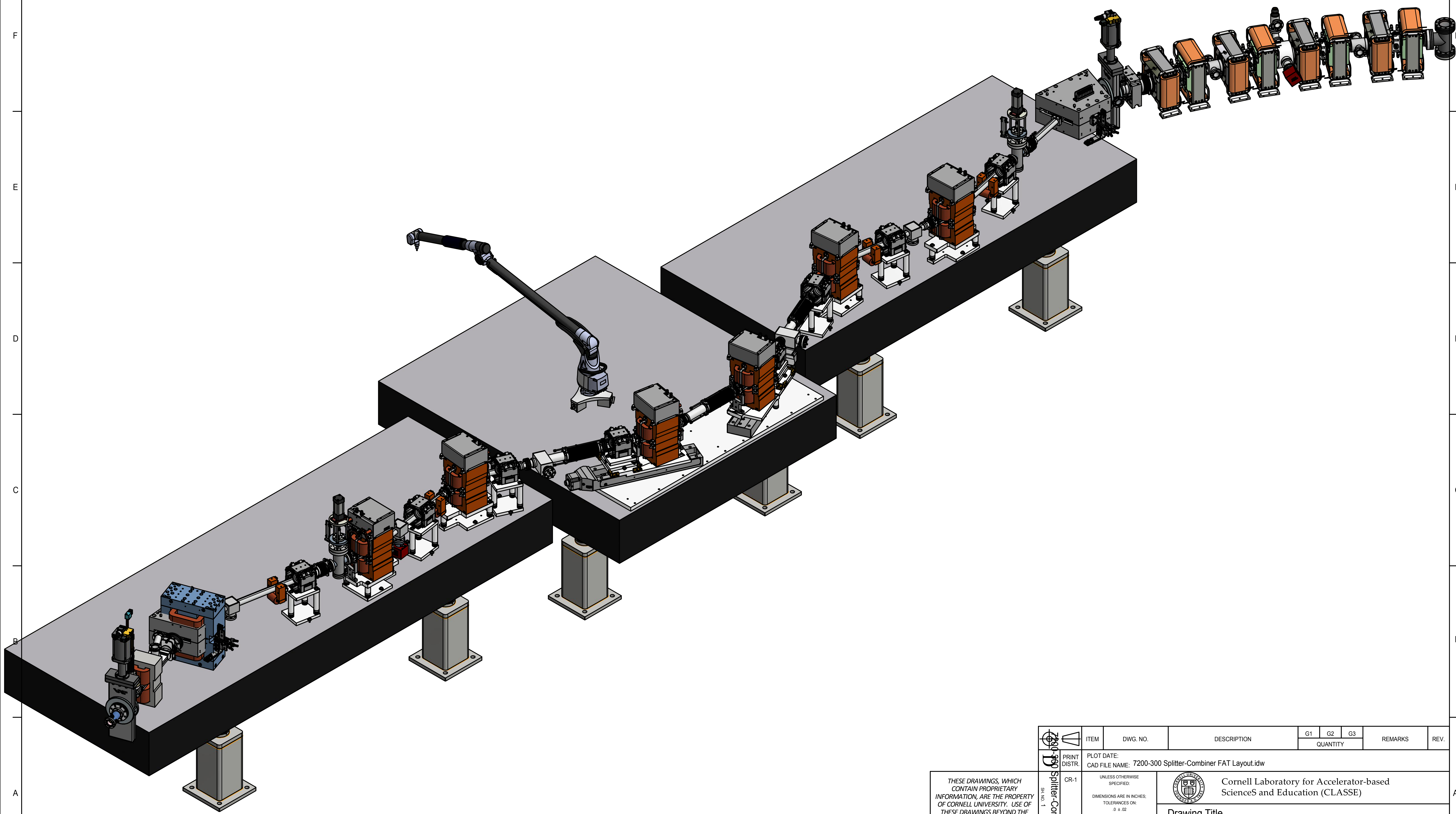
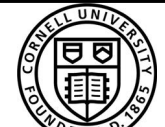


REVISIONS				
SYM	ZONE	DESCRIPTION	DATE	APP
		Initial Release		

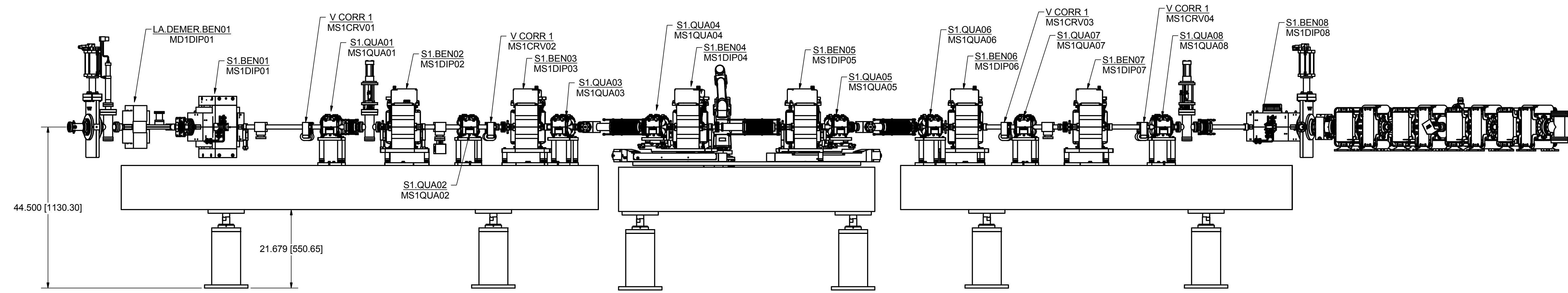
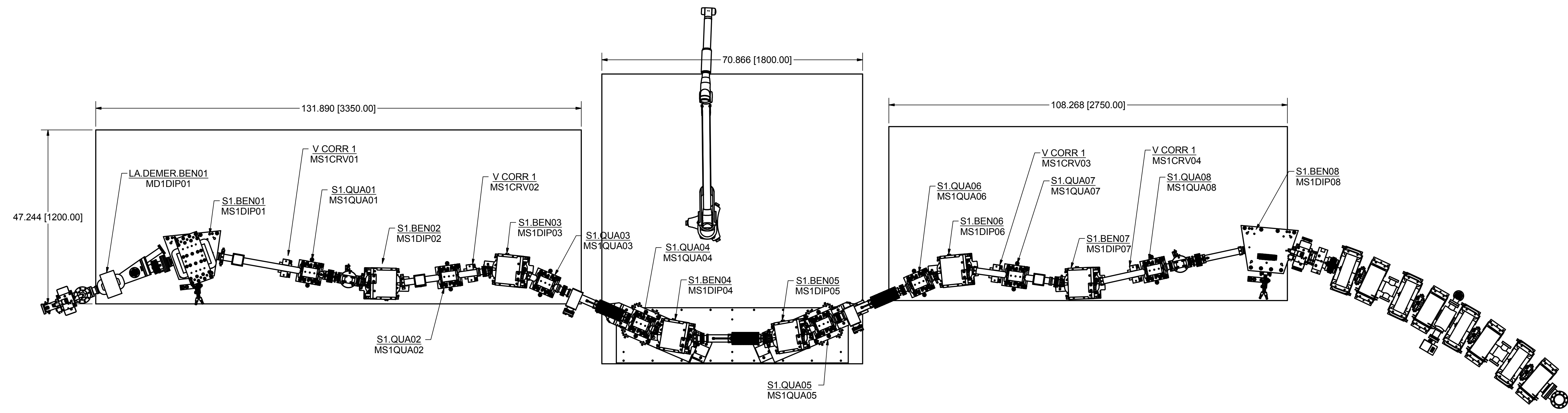


THESE DRAWINGS, WHICH CONTAIN PROPRIETARY INFORMATION, ARE THE PROPERTY OF CORNELL UNIVERSITY. USE OF THESE DRAWINGS BEYOND THE INTENDED PURPOSE IN SUPPORT OF OUR RESEARCH AS DESCRIBED AND FUNDED BY OUR SPONSORING AGENCIES MUST BE NEGOTIATED AND APPROVED IN ADVANCE BY CORNELL UNIVERSITY.

ITEM	DWG. NO.	DESCRIPTION	G1	G2	G3	REMARKS	REV.
			QUANTITY				
PRINT DISTR.		PLOT DATE: CAD FILE NAME: 7200-300 Splitter-Combiner FAT Layout.idw					
CR-1		UNLESS OTHERWISE SPECIFIED: DIMENSIONS ARE IN INCHES: TOLERANCES ON: 0 ± .02 00 ± .010 000 ± .005 FRACTIONS ± 1/32 ANGLES ± 0.5° ALL SURFACES ✓	 Cornell Laboratory for Accelerator-based Sciences and Education (CLASSE)			Drawing Title	
CHECKED BY:		DRAWN BY	DRAWN FOR	DATE	7200-300 Splitter-Combiner FAT Layout		
APPROVED BY:				1/11/2018	SH. NO. 1 OF 2		

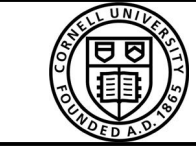
7200-300 Splitter-Combiner FAT Layout SH. NO. 1 OF 2

REVISIONS				
SYM	ZONE	DESCRIPTION	DATE	APP
		Initial Release		



THESE DRAWINGS, WHICH CONTAIN PROPRIETARY INFORMATION, ARE THE PROPERTY OF CORNELL UNIVERSITY. USE OF THESE DRAWINGS BEYOND THE INTENDED PURPOSE IN SUPPORT OF OUR RESEARCH AS DESCRIBED AND FUNDED BY OUR SPONSORING AGENCIES MUST BE NEGOTIATED AND APPROVED IN ADVANCE BY CORNELL UNIVERSITY.

ITEM	DWG. NO.	DESCRIPTION	G1	G2	G3	REMARKS	REV.
			QUANTITY				
PRINT DISTR.		PLOT DATE: CAD FILE NAME: 7200-300 Splitter-Combiner FAT Layout.idw					
CR-1		UNLESS OTHERWISE SPECIFIED: DIMENSIONS ARE IN INCHES: TOLERANCES ON: 0 ± .02 .001 ± .010 FRACTIONS ± 1/32 ANGLES ± 0.5° ALL SURFACES					
DRAWN BY KWS		DRAWN FOR	DATE 1/11/2018	7200-300 Splitter-Combiner FAT Layout			
APPROVED BY:				SH. NO. 2 OF 2			



Cornell Laboratory for Accelerator-based ScienceS and Education (CLASSE)

Drawing Title