



ECHO Microwave Co., Ltd. (www.echomicrowave.com)

Star Tower #1207, Sangdaewon-dong 223-25, Jungwon-gu, Sungnam-si, Gyeonggi-do,
Korea (ZIP: 462-738)

Tel: +82-31-8018-5010 / Fax: +82-31-8018-5011

Specification


1. Item

| | |
|--------------------|-----------------|
| Product | Cavity Filter |
| Part Number | ECA2600P20DA30A |

2. Revision History

| Issued / Revision | R&D Approved | Revision Detail |
|-------------------|--------------|-----------------|
| 2018-10-22 | WSL | Draft |
| | | |
| | | |
| | | |
| | | |



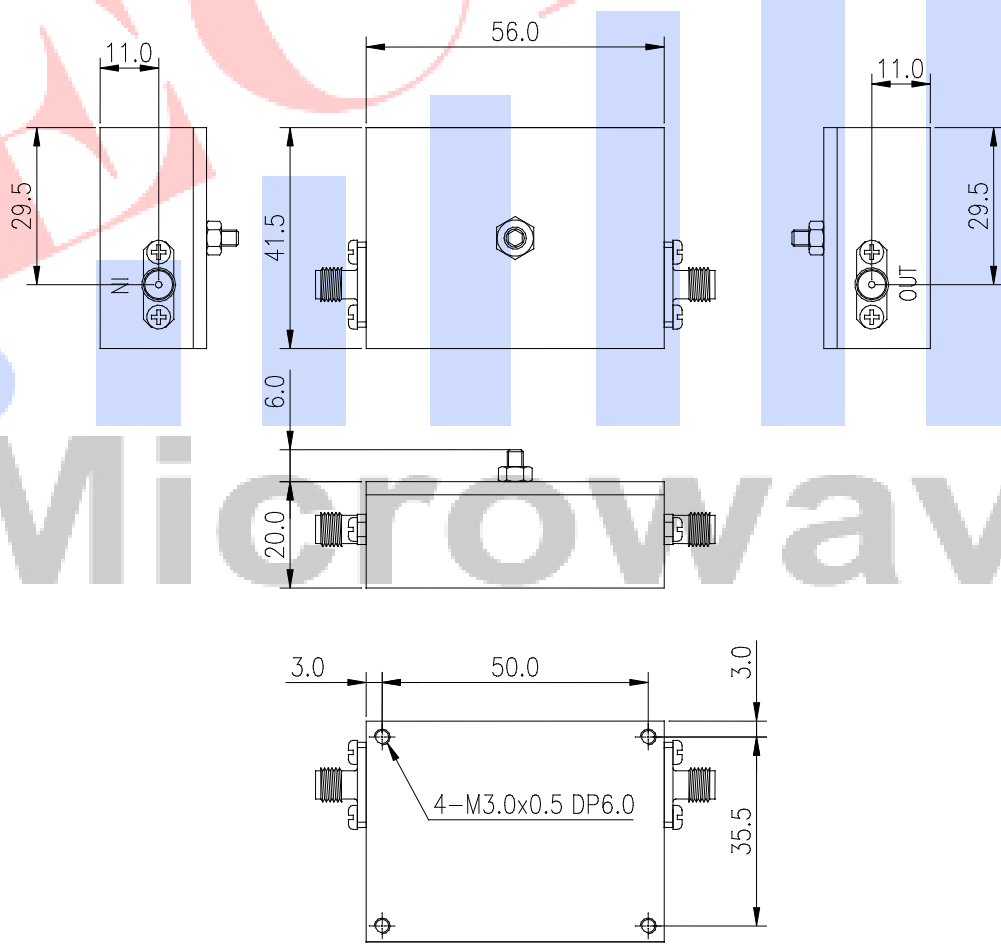
| | | |
|--|-------|----------|
| Design | R & D | Approval |
|  | | |
| CYKIM | WSL | |

| | | |
|-----------|------------------|---------------------------|
| Customer: | Date: 2018-10-22 | Part No.: ECA2600P20DA30A |
|-----------|------------------|---------------------------|

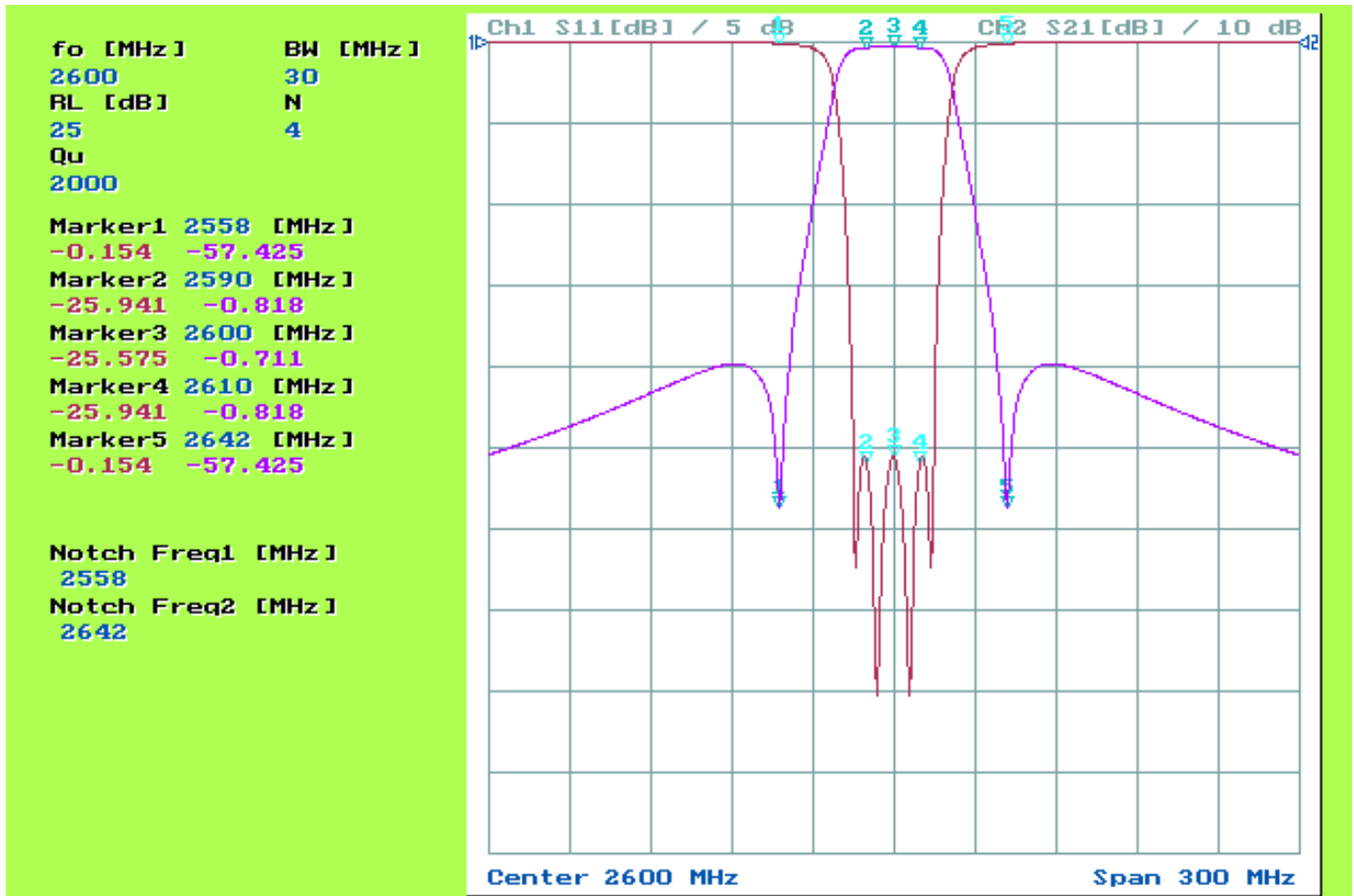
Electrical Specification

| No. | Parameter | Unit | Specification |
|-----|-----------------------|------|--|
| 1 | Center Frequency | MHz | 2600 |
| 2 | Pass Bandwidth | MHz | Fc ±10 min. (2590~2610MHz) |
| 3 | Insertion Loss in BW | dB | 2.0 max. |
| 4 | Ripple in BW | dB | 0.2 max. |
| 5 | Return Loss in BW | dB | 18 min. |
| 6 | Attenuation | dBc | 30 min. @ 2558MHz 30 min. @ 2642MHz |
| 7 | Input Power | W | 20 avg., max., |
| 8 | IN/OUT Impedance | Ω | 50 |
| 9 | Operating Temperature | Deg | -30 ~ +70 |
| 10 | Connector | - | SMA (Female) – All ports |
| 11 | Finish | - | Black Epoxy Painting |

Dimension [Unit : mm]



Simulation Graph



ECHO
Microwave