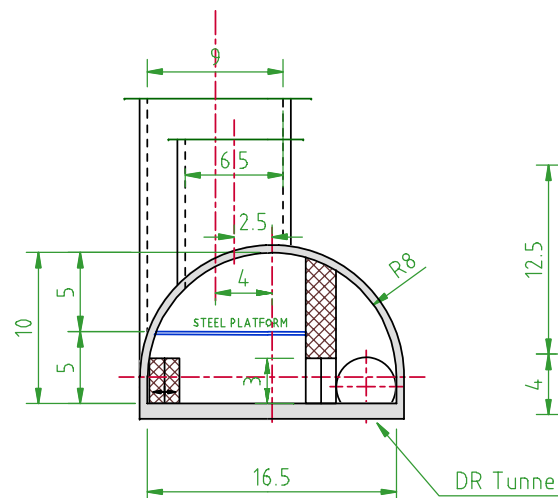
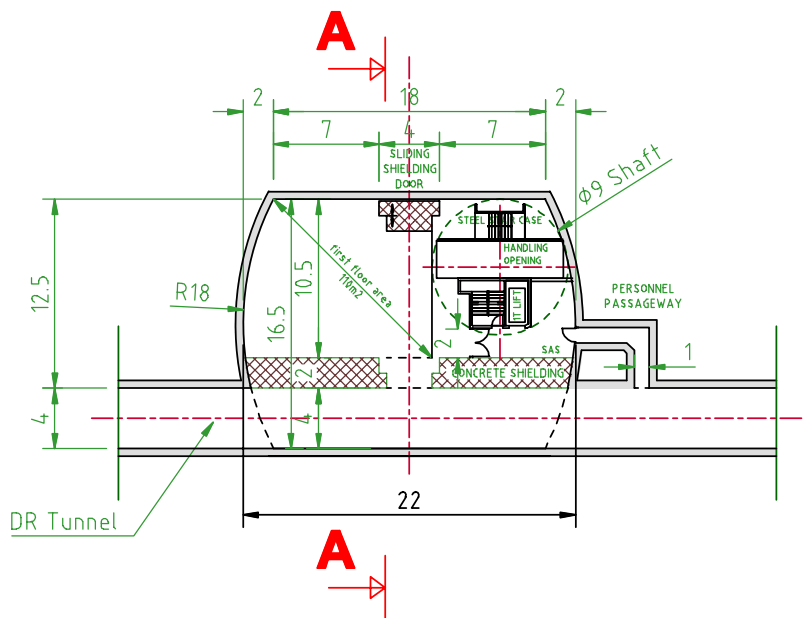
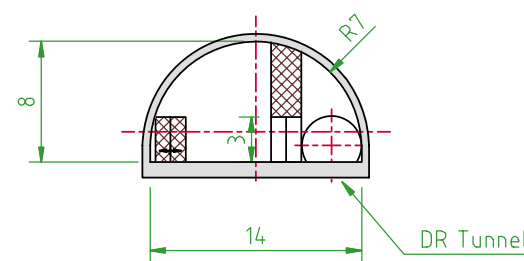
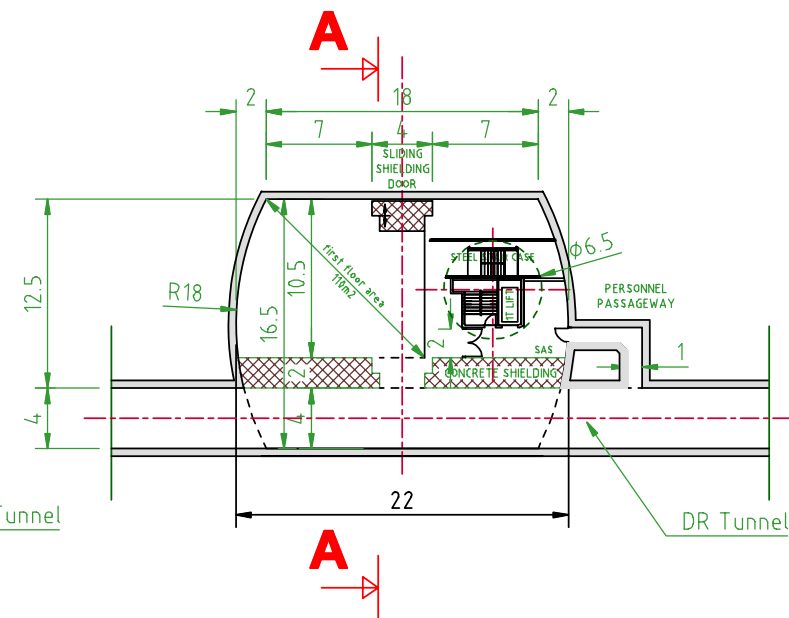


Type 1: ϕ 9.00m SHAFTS 12, 13, 16, 17

Type 2: ϕ 6.50m SHAFTS 14, 15, 18, 19

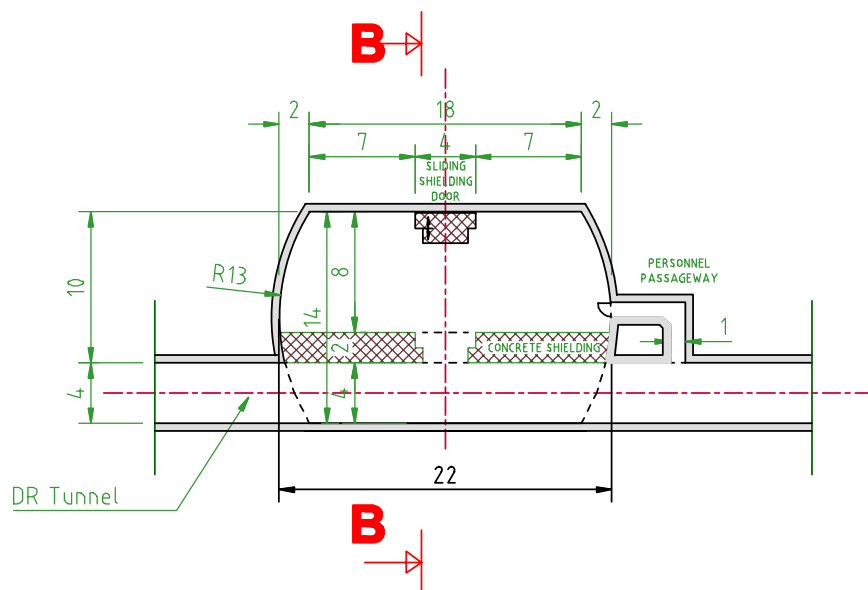


Section A-A



Section B-B

Type 3: NO SHAFT: A, D, H



B