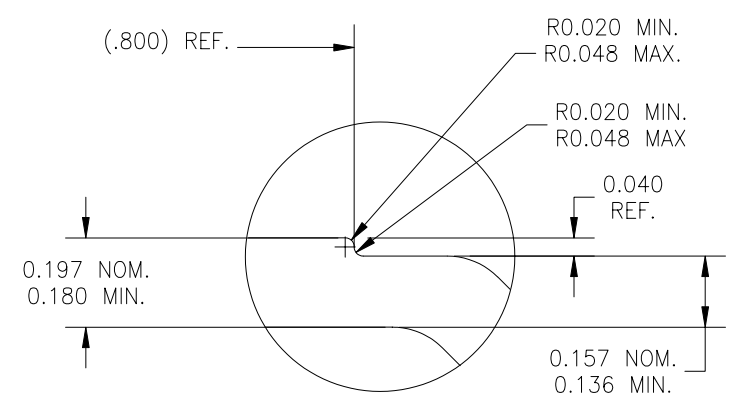
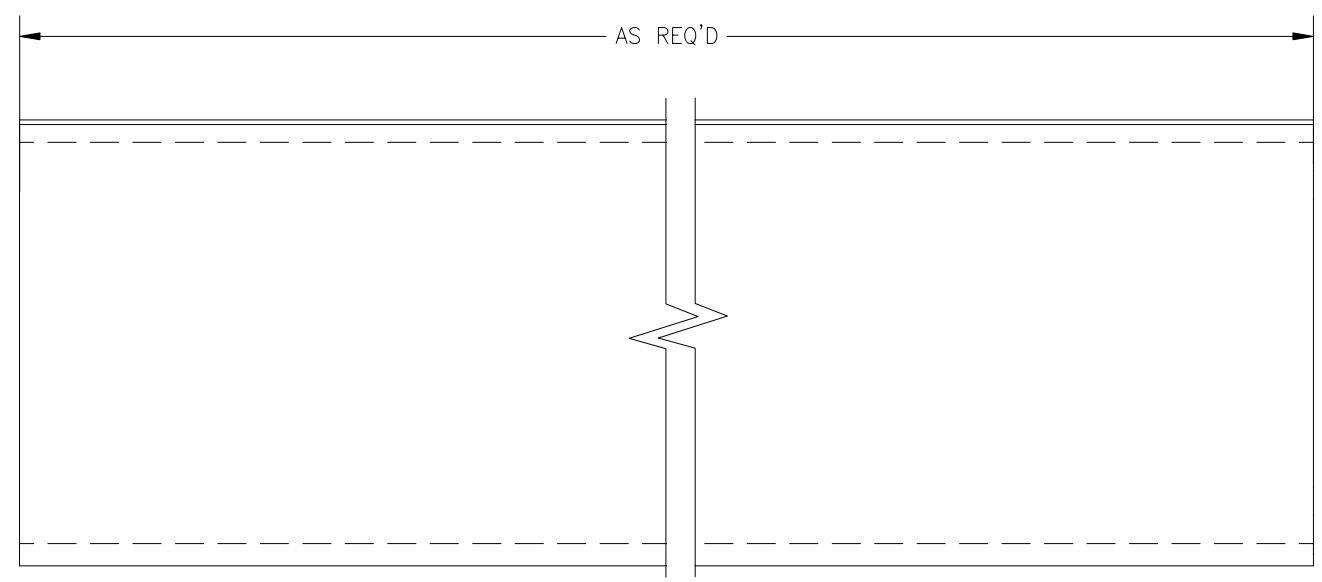
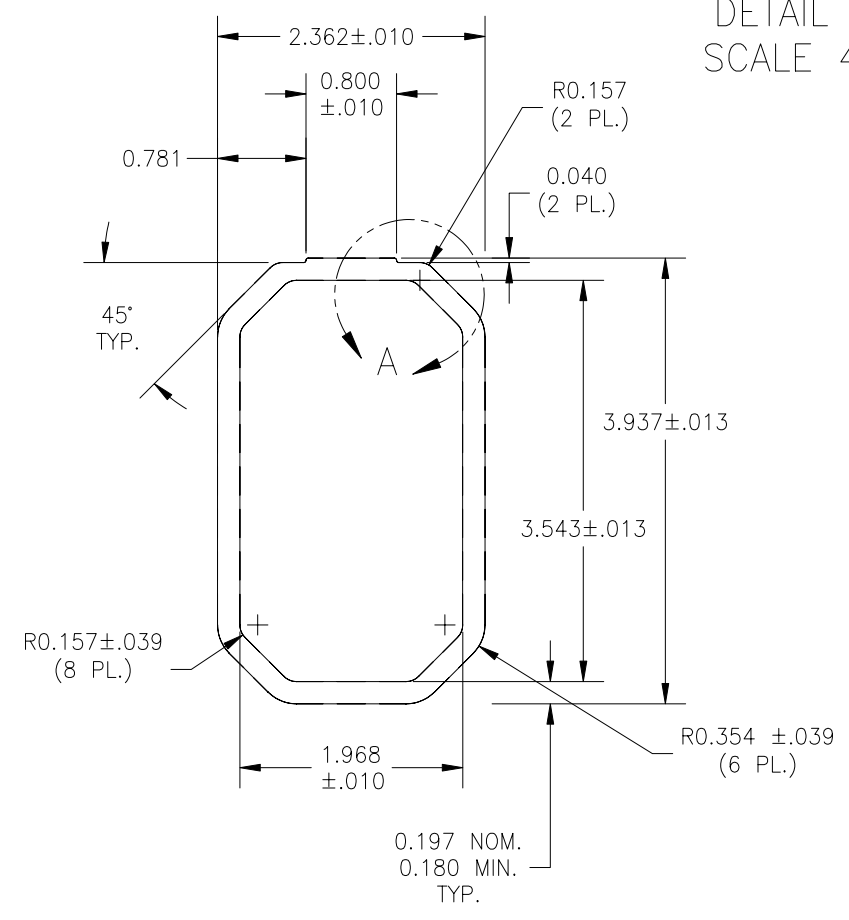


REVISIONS				
SYM.	ZONE	DESCRIPTION	DATE	APP.



DETAIL A  
SCALE 4:1



**C** 6070-067  
SH.T.NO. 1 CONT.ON FIN.

SLAC BEAM PIPE  
(C-6070-067-01)  
SCALE: 1:1

- NOTES
- 1) SLAC DWG. - SC-341-401-01-E4
  - 2) SLAC SPECIFICATIONS - PS341-491-01 (R2)
  - 3) VENDOR INFO - COPPER & BRASS SALES INC  
34 BARNES INDUSTRIAL RD  
WALLINGFORD, CT. 06492
  - 4) TYPICAL LENGTH - 82 INCHES

ITEM	DWG. NO.	DESCRIPTION	G1	G2	G3	REMARKS	REV.
			QUANTITY				
PRINT DISTR.	PLOT DATE NOVEMBER 4, 2002 CAD FILE NAME C-6070-067-01						
CR-1	UNLESS OTHERWISE SPECIFIED						
	DIMENSIONS ARE IN INCHES						
	TOLERANCES ON: .00 ± .010 .000 ± .005 FRACTIONS ± 1/64 ANGLES ± 0.5° ALL SURFACES 63/						
CHECKED BY APPROVED BY	TOC TOC	DRAWN BY Y. LI	DRAWN FOR JGL	DATE 11/4/02	SCALE AS NOTED	<b>C</b> 6070-067 SH. NO.1 CONT. ON FIN.	REV.

**Cornell University**  
Floyd R. Newman Laboratory of Nuclear Studies - Ithaca, NY 14853

SLAC QUADRUPOLE COPPER EXTRUSION  
(REFERENCE DWG.)